



TAYO Ceiling Fixture Guide



Indoor | Surface | Output up to 120lm/module

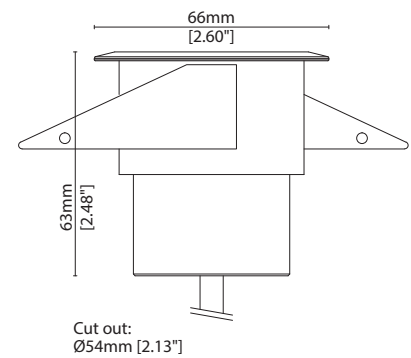


Key applications

- ✓ Bathrooms
- ✓ Ceiling
- ✓ Downlighting
- ✓ Interior
- ✓ Public spaces
- ✓ Shower
- ✓ Wall grazing

Key features

- ✓ Diffusion: Spotting
- ✓ Direct view
- ✓ High lumen efficacy
- ✓ IP67
- ✓ Lensed
- ✓ Output low





TAYO Ceiling Specification sheet

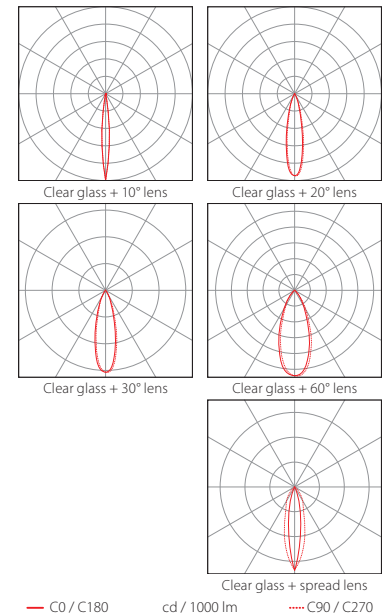
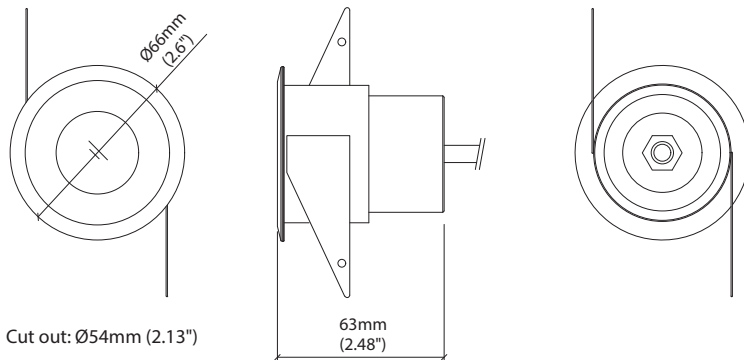


Dimensions	H63/Ø66mm (H2.48/Ø2.60in)
PCB Cut-point	-
LED Pitch	-
Chip	h-line
Cover/Optics	Clear Glass + 10°/20°/30°/60°/Spread Lens
CCT	h-line: 2200K/2700K/3000K/3500K/4000K/5000K Single colours: Red/Green/Blue
LED binning	h-line: 3-step MacAdam ellipse (2200K/2700K/3000K/3500K/4000K) 4-step MacAdam ellipse (5000K)
CRI	≥90(2700K/3000K) ≥80(2200K/3500/4000K) ≥75 (5000K)
Lifetime	50,000 hours @ 25°C (50,000 hours @ 77°F)
Operating temp	T _a = -25 to 50°C (T _c max = 70°C) T _a = -25 to 122°F (T _c max = 158°F)
IP Rating	IP67
Finish	Stainless steel 304
Mounting	Recessed mounting
Power feed	Single sheathed hardwire tail
Control	0-10V/1-10V/DMX/DALI (see visDIM range)



Power consumption	Supply voltage	Supply current
1.62W	12V DC	0.13A

	Clear Glass + 10°	Clear Glass + 20°	Clear Glass + 30°	Clear Glass + 60°	Clear Glass + Spread Lens	CRI	R9	Rf	Rg
h-line	118lm/module 74lm/W	116lm/module 73lm/W	110lm/module 69lm/w	120lm/module 75lm/w	118lm/module 74lm/w	-	-	-	-



Data derived from independent UKAS/IESNA LM-79-08 accredited testing of production samples.



TAYO Ceiling

Code Table



FIXTURE

Model	Finish	Cover	Grade	LED	Colour (CCT)	IP	Cable Length	Power Feed	Lens	Input										
TAYO Ceiling	TL	Stainless Steel	ST	Clear Glass	E	h	h	107	2200K	22	IP67	67	1000mm/39.37"	1000	Single ø6.3mm sheath tail	S00B	10°	10	DC 12V	f
					2700K	27											20°	20		
					3000K	30											30°	30		
					3500K	35											60°	60		
					4000K	40											Spread Lens	SL		
					5000K	50														
					RED	RED														
					GREEN	GRN														
					BLUE	BLU														

Code Example:

TL	-	ST	-	E	-	h	-	107	-	30	-	67	-	1000	-	S00B	-	30	-	f
TAYO Ceiling		Stainless Steel		Clear Glass		h		TAYO		3000K		IP67		1000mm/39.37"		Single ø6.3mm sheath tail		30°		DC 12V

ACCESSORIES

Exterior Junction Boxes

KKJB-07	IP67 Slim J-Box
KKJB-07R	Potting Resin for IP67 Slim J-Box

* Refer to **Exterior Junction Boxes** on **Accessories** pages

PSU/Driver

0-10V/1-10V/DALI/DMX

* Refer to **Driver/PSU Options** page for details or provide requirement and KKDC to offer the suitable option

EXTERIOR JUNCTION BOXES



KKJB-07

IP67 Slim J-Box
(including type A,B,C,D
bushings)



KKJB-07R

Potting resin for IP67 Slim J-Box

KKDC CONTROL



IP20
Plastic housing
L170/W59/H29mm
(L6.69/W2.32/H1.14in)

KKDM-06 1-10V

visDIM dimmable sub-
controller (4 x 8A max @
12-36V)



IP20
Plastic housing
L170/W53.4/H28mm
(L6.69/W2.10/H1.10in)

KKSC-05 DMX

visDIM dimmable sub-
controller (4 x 5A max @
12-36V)



IP20
Plastic housing
L170/W59/H29mm
(L6.69/W2.32/H1.14in)

KKDL-02 DALI

visDIM dimmable
sub-controller (4 x 8A max @
12-36V)



IP20
Plastic housing
L166/W53.4/H23mm
(L6.54/W2.10/H0.91in)

KKDL-03 DALI

visDIM dimmable
sub-controller (4 x 5A max @
12-36V)



TAYO Ceiling Driver/PSU Options



AVAILABLE PSU OPTIONS

Control Mode	PSU (Order Code)	Input Voltage AC	Output Voltage DC	Rated Output Current	Rated Power	Dim %	IP Rating
Switched	CEN-60-12	90-295V	12V	5.0A	60W	-	IP67
	HLG-80H-12	90-305V	12V	5.0A	60W	-	IP67
	HLG-120H-12	90-305V	12V	10.0A	120W	-	IP67
	HLG-150H-12	90-305V	12V	12.5A	150W	-	IP67
	HLG-240H-12	90-305V	12V	16.0A	192W	-	IP67
0-10V (1-10V)	PWM-40-12	90-305V	12V	3.34A	40W	100-0.15 (100-10)	IP67
	PWM-60-12	90-305V	12V	2.5A	60W	100-0.15 (100-10)	IP67
	PWM-90-12	90-305V	12V	3.67A	90W	100-0.15 (100-10)	IP67
	PWM-120-12	90-305V	12V	10.0A	120W	100-0.15 (100-10)	IP67
DALI	LIN100A1	120-277V	12V	2.08A per channel	100W	100-0.1	IP66/IP40
DMX RGB	LIN100A1	120-277V	12V	2.76A per channel	100W	100-0.1	IP66/IP40
DMX RGBW	LIN100A1	120-277A	12V	2.08A per channel	100W	100-0.1	IP66/IP40

Flicker Free Options - Combination of PSU+ sub-controller

Control Mode	PSU (Order Code)	Sub-controller (Order Code)	Input Voltage AC	Output Voltage DC	Rated Output Current	Rated Power	Dim %	IP Rating PSU/ Sub-controller
0-10V or 1-10V	HLG-80H-12	KKDM-06	90-305V	12V	5.0A	60W	100-0.9	IP67/IP20
	HLG-120H-12	KKDM-06	90-305V	12V	10.0A	120W	100-0.9	IP67/IP20
	HLG-150H-12	KKDM-06	90-305V	12V	12.5A	150W	100-0.9	IP67/IP20
	HLG-240H-12	KKDM-06	90-305V	12V	16.0A	192W	100-0.9	IP67/IP20
DALI	CEN-60-12	KKDL-02/03	90-295V	12V	2.5A	60W	100-0.1	IP67/IP20
	HLG-80H-12	KKDL-02/03	90-305V	12V	2.5A	60W	100-0.1	IP67/IP20
	HLG-120H-12	KKDL-02/03	90-305V	12V	10.0A	120W	100-0.1	IP67/IP20
	HLG-150H-12	KKDL-02/03	90-305V	12V	12.5A	150W	100-0.1	IP67/IP20
	HLG-240H-12	KKDL-02/03	90-305V	12V	16.0A	192W	100-0.1	IP67/IP20
DMX RGB	HLG-80H-12	KKSC-05	90-295V	12V	5.0A	60W	100-0.9	IP67/IP20
	HLG-120H-12	KKSC-05	90-295V	12V	10.0A	120W	100-0.9	IP67/IP20
	HLG-150H-12	KKSC-05	90-305V	12V	12.5A	150W	100-0.9	IP67/IP20
	HLG-240H-12	KKSC-05	90-305V	12V	16.0A	192W	100-0.9	IP67/IP20

¹ The items shown above cover the most frequently used specification but does not exhaust the possible options

² PSU and/or driver can be chosen from the table, or KKDC may recommend the best option upon receipt of the controls requirement and installation environment

³ Electrical shop drawing will include detailed information of PSU and relevant control drivers

⁴ Cut sheets are available on the controls section of www.kkdc.lighting or upon request